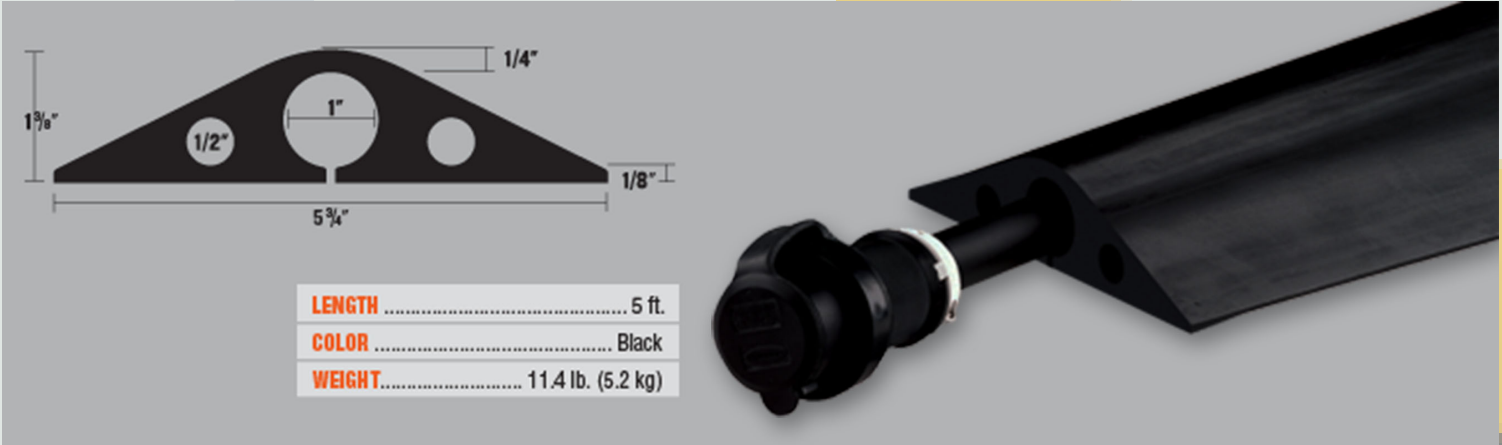


ROADWAY CABLE PROTECTOR



Rubber Cable Protector VPN: 55550

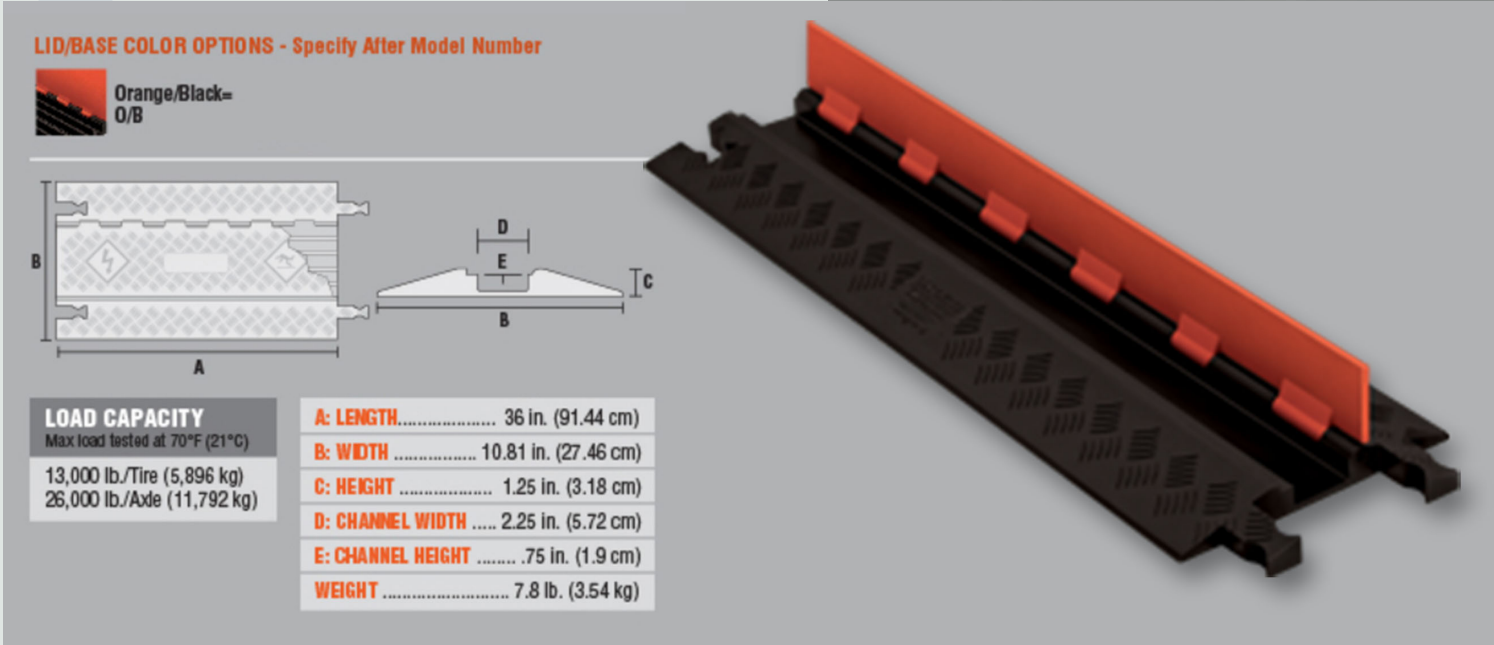


LENGTH	5 ft.
COLOR	Black
WEIGHT	11.4 lb. (5.2 kg)

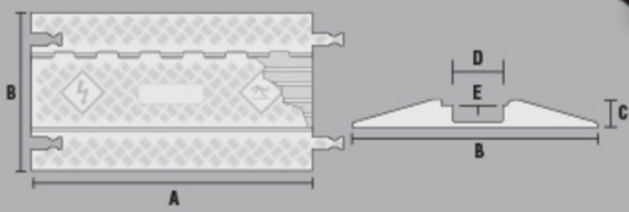
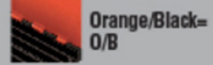
FEATURES:

- Heavy Duty Single Channel Protector For Cable • Reduces Tripping Hazards and Hose Lines Up To 1" Diameter • Protects/Organizes Portable Cords & Cables • Non-Metallic, Industrial-Grade Rubber Construction • Optional Connector Kit Available For Most Sizes

Plastic Cable Protector VPN: 55560



LID/BASE COLOR OPTIONS - Specify After Model Number



LOAD CAPACITY
Max load tested at 70°F (21°C)
13,000 lb./Tire (5,896 kg)
26,000 lb./Axle (11,792 kg)

A: LENGTH	36 in. (91.44 cm)
B: WIDTH	10.81 in. (27.46 cm)
C: HEIGHT	1.25 in. (3.18 cm)
D: CHANNEL WIDTH	2.25 in. (5.72 cm)
E: CHANNEL HEIGHT75 in. (1.9 cm)
WEIGHT	7.8 lb. (3.54 kg)

FEATURES:

- Protects cables and hoses up to .75" outside dia. • Dog-Bone Connectors to extend to any desired length • Reinforced hinged lid for easy cable placement • Patented 5-bar tread surface for maximum traction with standard ramps • Modular interlocking design for easy setup