

**Vise Clamp Adapter
Product # 55500
(Instructions for Installation)**

1. Select the area of P-Seat on which the vice clamp is to be attached. See illustration at bottom for suggested placement.

2. Remove the swivel arm from the vise clamp to allow for easy installation.

3. Fully open the jaws of the vise clamp.

4. Place the vise clamp on the desired location.

5. Close jaws onto the seat snugly. DO NOT fully tighten jaws.

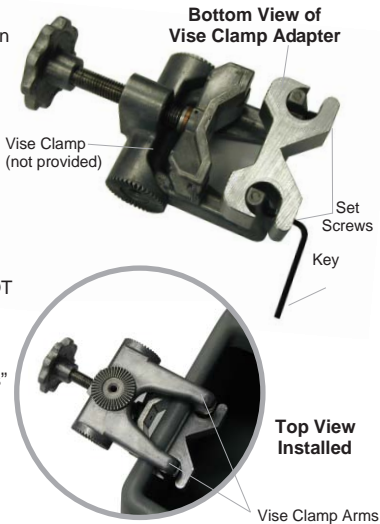
6. Attach the "Vise Clamp Adapter" onto "Vise Clamp Arms" so that the "Set Screws" are easily accessible.

7. Firmly tighten the "Set Screws" with the key supplied.

8. Now close the vise clamp jaws tightly.

9. Attach any needed apparatus.

10. There is no reason to remove the "Vise Clamp Adapter" once it has been attached to the vise clamp. Simply loosen the jaws of the vise clamp.



**Suggested
area for
installation**

